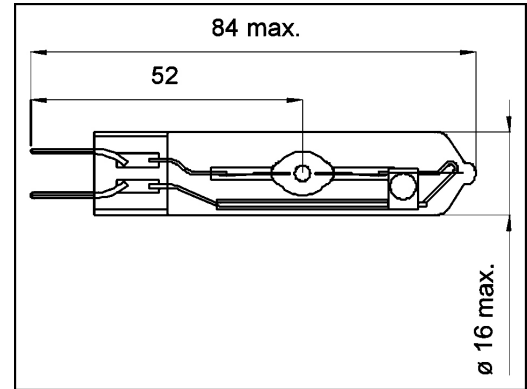


Order number: 226333

### Technical data:

Designation:	HIT 35 dw G8,5 axial
Lamp wattage (nominal value):	35 W
Lamp wattage (rated value):	39 W
Lamp voltage:	95 V
Lamp current:	0,5 A
Ignition voltage:	4 kV
Luminous flux (nominal value):	2700 lm
Luminous efficiency:	69 lm/W
Colour temperature:	5200 K
Chromaticity coordinate x:	0.34
Chromaticity coordinate y:	0.35
Colour rendering:	80-89
Colour rendering index:	1B
Average life (nominal value):	6000 h
Diameter:	16 mm
Length L:	84 mm max.
LCL:	52 mm
Bulb form:	tubular
Bulb type:	clear
Base:	G8,5
Reliable burning position:	u360
Packing unit (pcs.):	10
UV-P:	Yes
ILCOS:	MT/UB-39/52/1B-H95/S-G8,5-16/84
Remark:	VORLÄUFIG! Diese Produktspezifikation unterliegt Veränderungen ohne weitere Hinweise!



### Advantages:

- Space saving design
- Economic due to long lifetime
- High colour stability over the entire lifetime
- UV protection (UV-P)
- Reduced fade effect on textiles and less embrittlement of plastics (UV-P)
- Average lifetime: 6000 hours
- Axial arc (ability to produce uniform light beam)
- High light efficiency
- Good focussing in luminaires

### Application:

Application for interior and exterior accent lighting, e.g.:

- Open-plan offices
- Shop windows
- Hotels and restaurants
- Museums and galleries

Within the scope of the corresponding standards, variations of the declared values and tolerances might occur without prior notice.