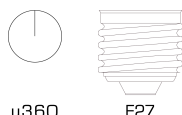
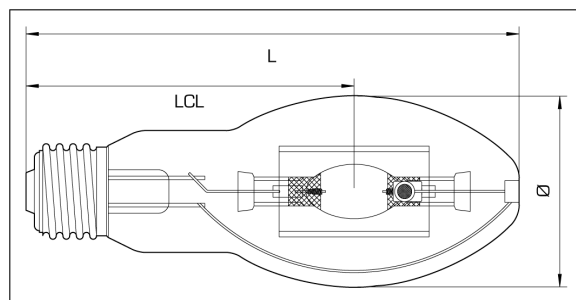


Order no.: 223710

### Techn. Values:

Designation:	HIE-P 100 ww E27 cl
Design:	clear
Wattage (W):	100
Lamp current (A):	1,2
Voltage (V):	95
Luminous flux (lm):	7600
Colour temperature (K):	3200
Diameter (mm max.):	54
Length (mm max.):	138
LCL (mm):	86
Base:	E27
Average life (h):	15000
Burning position:	u360
Packing unit:	12
Bulb form:	elliptic
Ra-Value:	70



u360

E27

### ADVANTAGES:

- Low costs due to long maintenance intervals
- High fixture efficacy
- Average life 15000 hours
- Economic life 9000 hours
- Good colour rendering
- High luminous efficacy
- Clear and coated versions
- Lamps suitable for open fixtures

### APPLICATION:

interior and exterior display lighting, e.g.:

- Open-plan offices
- Product displays
- Hotels and restaurants
- Museums and galleries
- Industrial halls
- Storage areas
- Parking lots
- Service stations