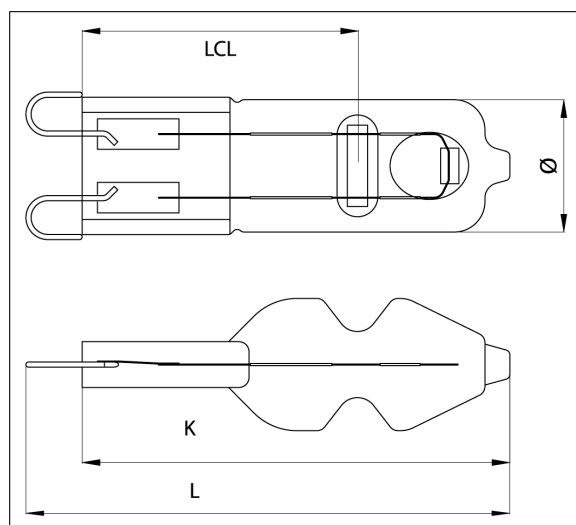


Order no.: 126002

Techn. Values:

Design:	clear
Wattage (W):	60
Voltage (V):	230
Luminous flux (lm):	820
Colour temperature (K):	2800
Diameter (mm max.):	14
Length (mm max.):	51
Base:	G9
Average life (h):	2000
Burning position:	u360
Packing unit:	20
Bulb form:	tubular



u360

ADVANTAGES:

- 100% dimmable
- UV protection (UV-P)
- For use in open fixtures
- Mains voltage operation without transformer
- Easy handling
- Compact design

APPLICATION:

- Perfect for every luminaire in living spaces
- Operation outside and wet locations is possible with suitable luminaires